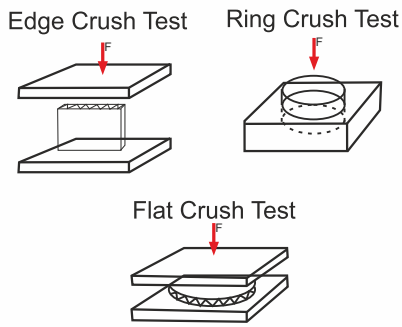
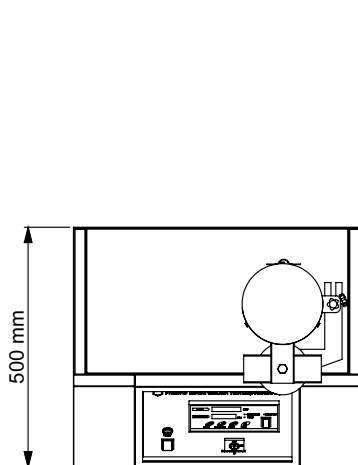


# RCT/FCT/EDGE Crush Tester – Digital

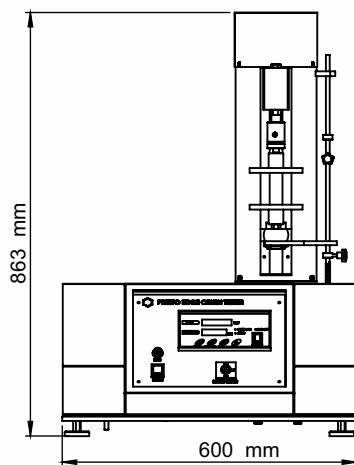


Model No. PCT - 100

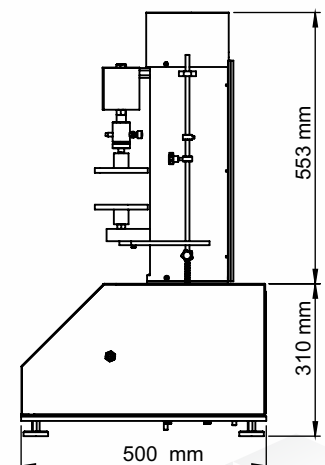
**RCT/FCT/Edge Crush Tester Digital** is a consistent tool to measure the crush strength of cardboard boxes and packaging containers. PRESTO RCT/FCT/Edge Crush Tester is manufactured under Test Standard IS 7063.



Top View



Front View



Side View

The Ring Crush, Edge Crush, Flat Crush Strength tester measures the rigidity of CFB on edgewise.

- Microprocessor based display for accurate test results
- Display for compression strength of test specimen
- Separate fixtures for ring crush, edge crush and flat crush test.
- Highly accurate test results under compression force
- Strong gripping clamps.
- Bright LED display
- Inbuilt calibration facility
- Feather touch controls

RCT/FCT/Edge Crush Tester reveals the crushing resistance in terms of Kg/Unit length.

Optional Features:

- Computerised model also available
- Digital model with printer facility also available.

### Key Specifications :

Load Cell Capacity	100 Kgf
Display	• LED (Digital)
Accuracy	± 2% at full load (with master load)
Least Count/Resolution	0.01 Kgf
Power	220V, Single phase, 50 Hz
Test Speed	12.5 ± 2.5 mm/min

### Highlights :

Safety Switch	Upward & Downward Limit Switches
Material	Mild Steel
Finish	Powder coated Havel Gray & Blue combination finish and bright chrome / zinc plating for corrosion resistant finish
Dimensions	600x500x863 mm

Thank you customers for choosing us as your partners in growth !



\*All the above logos are the sole property of their respective owners and are used purely for depiction purposes only.

### OUR OTHER PRODUCTS :-



Head Office : **Presto Stantest Private Limited**

I-42, DLF Industrial Area Phase-I, Delhi Mathura Road, Faridabad 121003, Haryana, India  
P : +91 129 4272727 E : info@prestogroup.com

Branches :

**Mumbai**

503-504B, Fair link Centre, Opp. Fame Adlab Behind Mongini's Off Link Road Andheri (West), Mumbai 400058  
P : +91 022 42957052, 42957053  
E : west@prestogroup.com

**Kolkata**

93, 3<sup>rd</sup> Floor, Karnani Estate 209, A.J.C. Bose Road Kolkata-700017. West Bengal  
P : +91 033 40612012  
E : east@prestogroup.com

**Chennai**

A-3, First Floor, Sri Sathya Sai Building 755, Poonamallee High Road, Kilpauk Chennai- 600 010. Tamil Nadu  
P : +91 044 43865260, 43838372  
E : south@prestogroup.com

